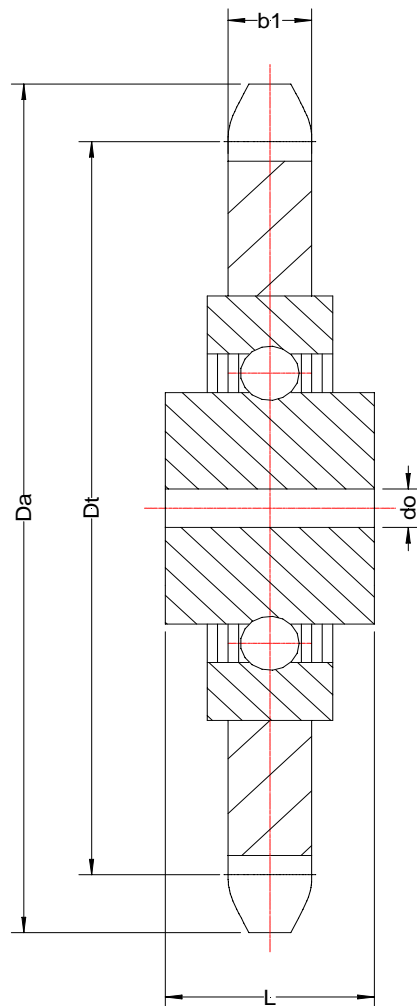


Kettenspannräder / Chain stretcher sprockets



| für Kette to chain | DIN 8187 | | 06 B1 | 08 B1 | 10 B1 | 12 B1 | 16 B1 | 20 B1 |
|-----------------------|----------------|-----------|---------------------------------------|---------------------------------------|--------------------------------------|---------------------------------------|--------------|-------------------|
| Teilung | pitch | p | $\frac{3}{8}'' \times \frac{7}{32}''$ | $\frac{1}{2}'' \times \frac{5}{16}''$ | $\frac{5}{8}'' \times \frac{3}{8}''$ | $\frac{3}{4}'' \times \frac{7}{16}''$ | 1" x 17,02mm | 1 $\frac{1}{4}$ " |
| Zähne | teeth | Z | 21 | 18 | 17 | 15 | 12 | 13 |
| Bohrung | bore | do | 16 | 16 | 16 | 16 | 20 | 25 |
| Gesamtbreite | total length | L | 18,30 | 18,30 | 18,30 | 18,30 | 17,70 | 21,00 |
| Teilkreis Ø | Ø circlepart | Dt | 63,90 | 73,14 | 86,39 | 91,63 | 98,14 | 132,65 |
| Außen Ø | Ø outside | Da | 68,00 | 77,80 | 93,00 | 99,80 | 109,00 | 143,00 |
| Zahnbreite | width of teeth | b1 | 5,30 | 7,20 | 9,10 | 11,10 | 16,20 | 18,50 |
| Gewicht | weight | kg | 0,095 | 0,120 | 0,200 | 0,250 | 1,000 | 1,900 |